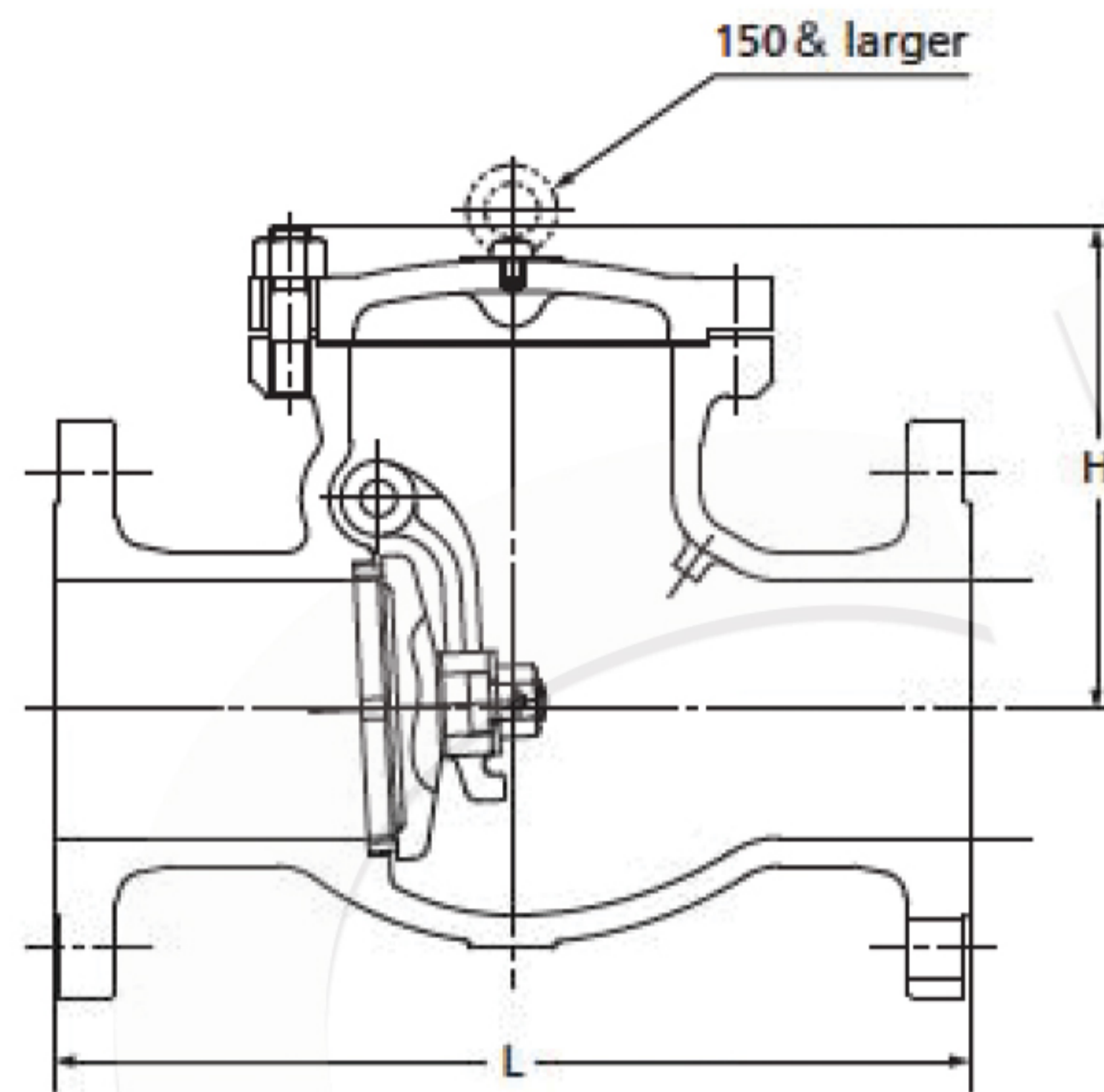
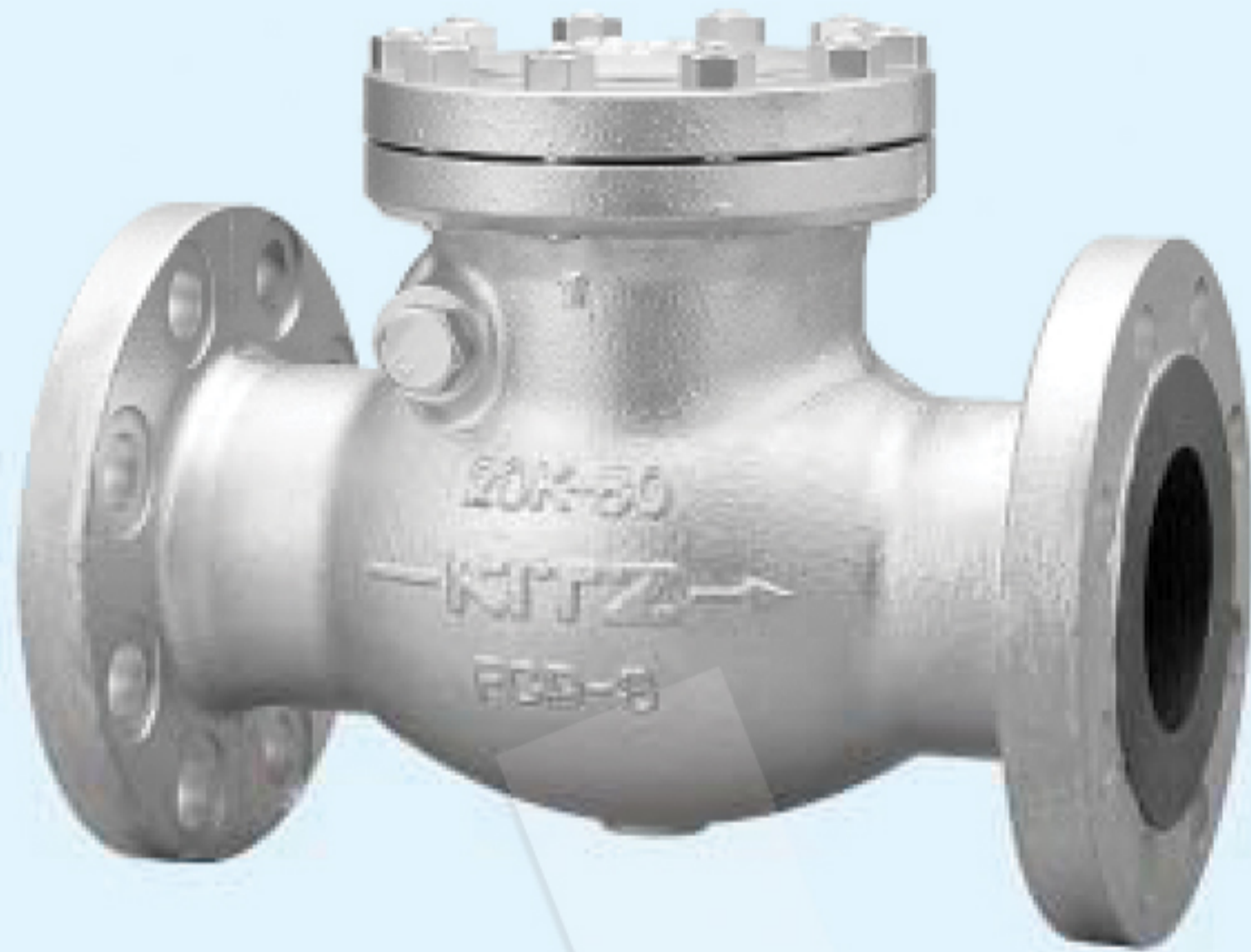


# 20K Swing Check Valve

**20SOB**  
 B.C.  
 RF-flanged



120°C Static water..... 2.8MPa  
 220°C Steam, air, gas, oil..... 2.5MPa  
 300°C Steam, air, gas, oil..... 2.3MPa  
 350°C Steam, air, gas, oil..... 2.0MPa

**Materials**

Parts	JIS material
Body	FCD-5
Cover	FCD-5
Disc	SUS403 (200~300: SCPH2 + 13Cr)
Disc nut	SS400 (125 ~300: SUS304)
Body seat ring	SUS403
Arm	SCS13A (125 ~ 300: SFVC2A / SCPH2)
Hinge pin	SUS403
Split pin	SUS304
Plug	SS400
Washer	SS400 (125 ~300: SUS403)
Gasket	Non-asbestos Sheet
Cover bolt/nut	Carbon Steel

Face to face : JIS B 2002  
 End connection : JIS B 2239 20K

**Dimensions**

Size	mm	50	65	80	100	125	150	200	250	300	mm
	inch	2	2½	3	4	5	6	8	10	12	
L		267	292	318	356	400	444	533	622	711	
H		135	145	160	185	220	240	275	335	370	

NOTE : For flange dimensions, refer to Page 44.